

**Webinar: Sustainable fast charge for future vehicles and transport. Inductive technology for electric vehicle charging**

# **System integration**



**INNOVATIVE FAST INDUCTIVE CHARGING SOLUTIONS FOR ELECTRIC VEHICLES**

**Jesús M<sup>a</sup> López, Dionisio del Pozo**  
**Fundación Tecnalia Research & Innovation**  
**9/10/2014, Derio**

**tecnalia** Inspiring Business

**BATZ**

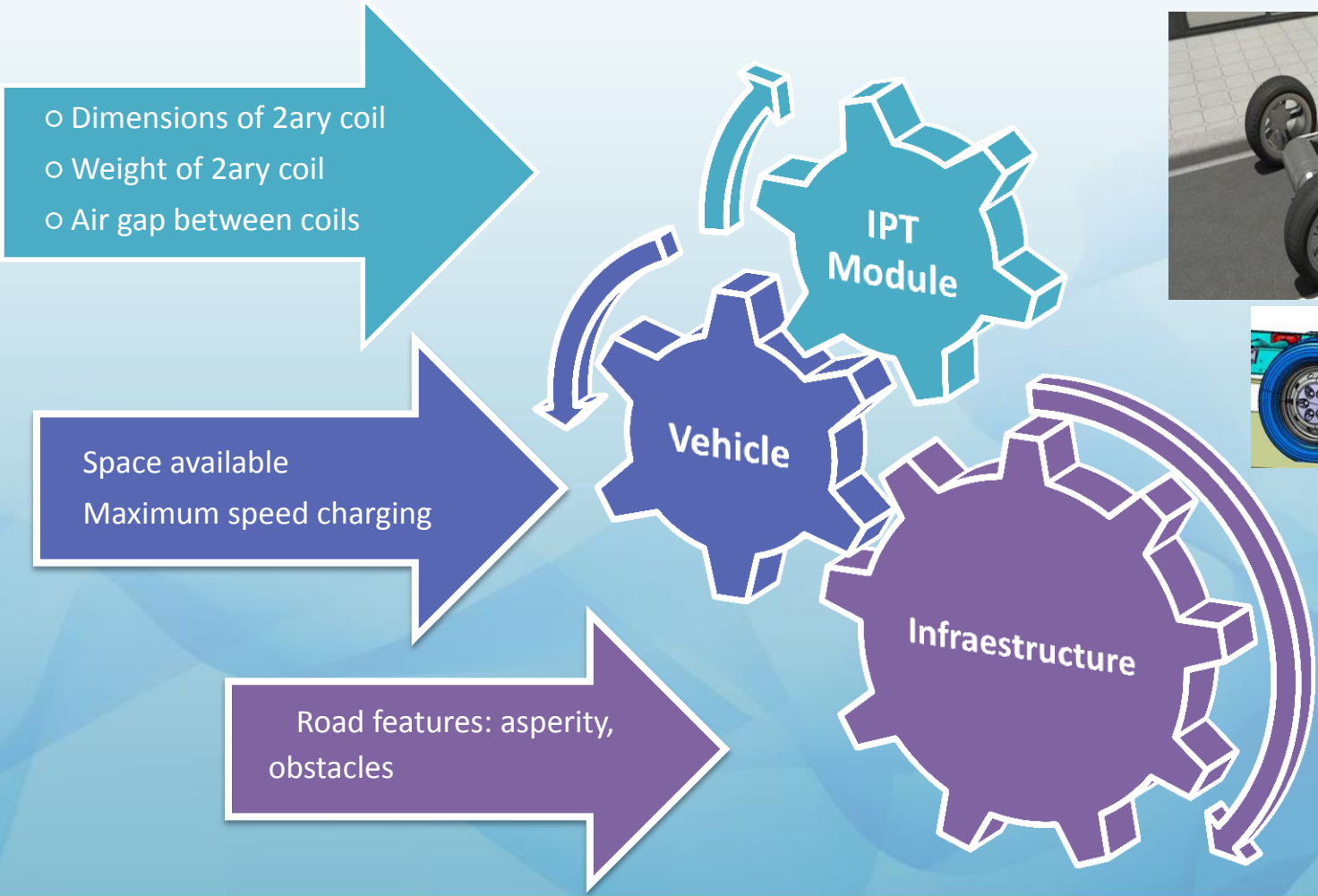
**Aitor Bustillo, Egoitz Goikuria**  
**BATZ S.Coop**  
**9/10/2014, Derio**



FastInCharge is supported by  
European Union's Seventh  
Framework Programme  
{FP7/2007-2013} under grant  
agreement n° 314284



# 1. Technical requirements & specifications

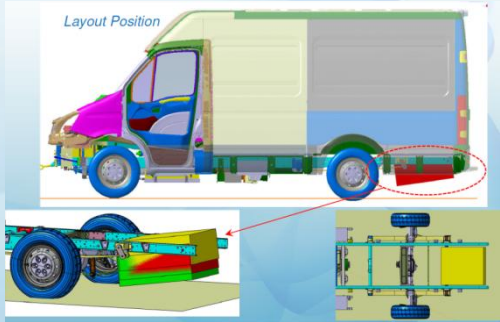
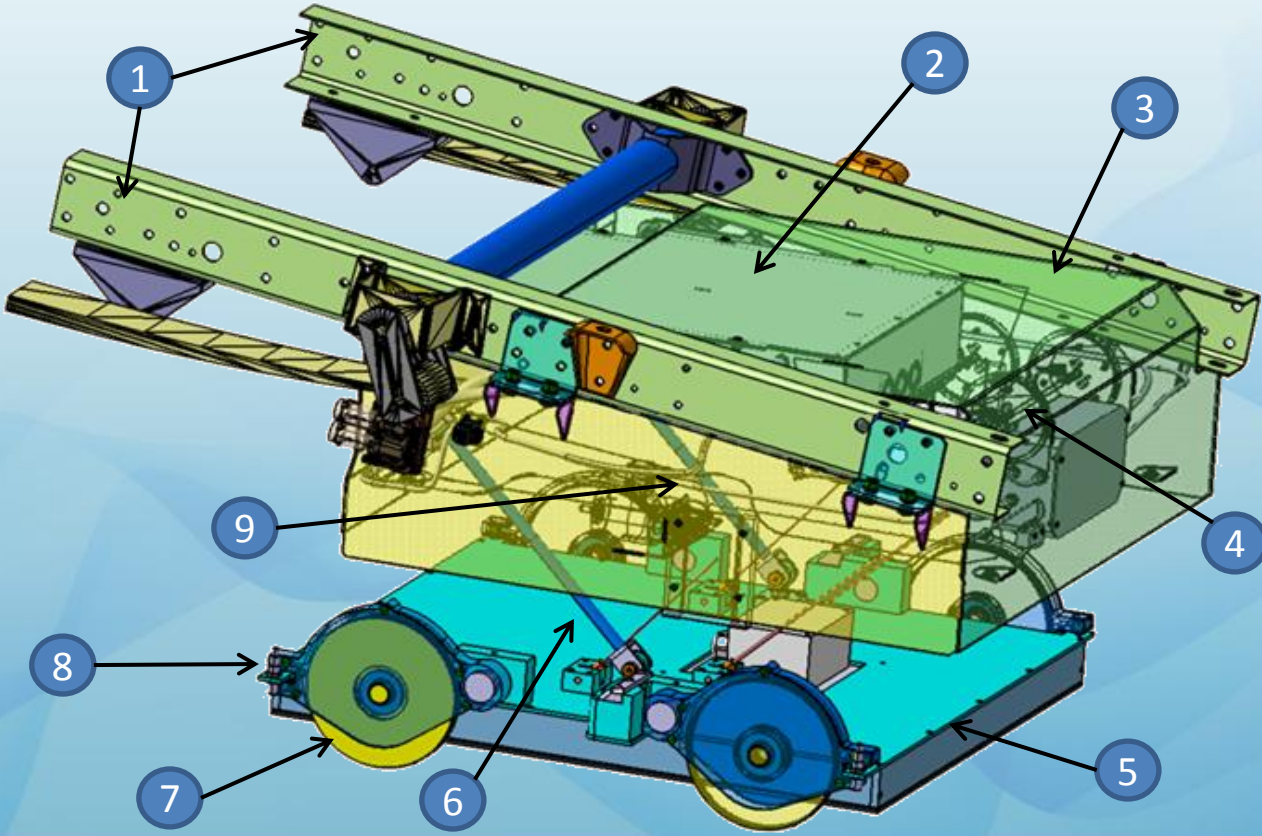


FastInCharge is supported by European Union's Seventh Framework Programme (FP7/2007-2013) under grant agreement n° 314284



# 2. Design of mechanical system

First approach to the technology integrating the different elements and designing the lowering mechanism:



- 1.- Vehicle structure
- 2.- AC-DC module
- 3.- Black box housing
- 4.- Pick-Up Mechanism
- 5.- Secondary coil
- 6.- Guidance System
- 7.- Rolling System
- 8.- Damping System
- 9.- Locking System



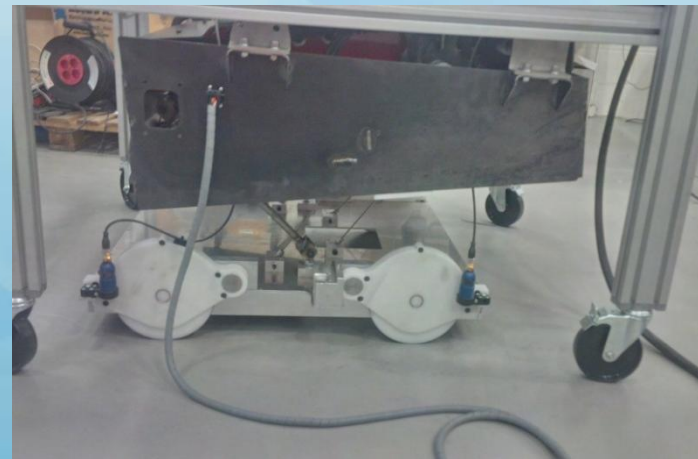
FastInCharge is supported by European Union's Seventh Framework Programme (FP7/2007-2013) under grant agreement n° 314284



# 3. Manufacturing of prototypes

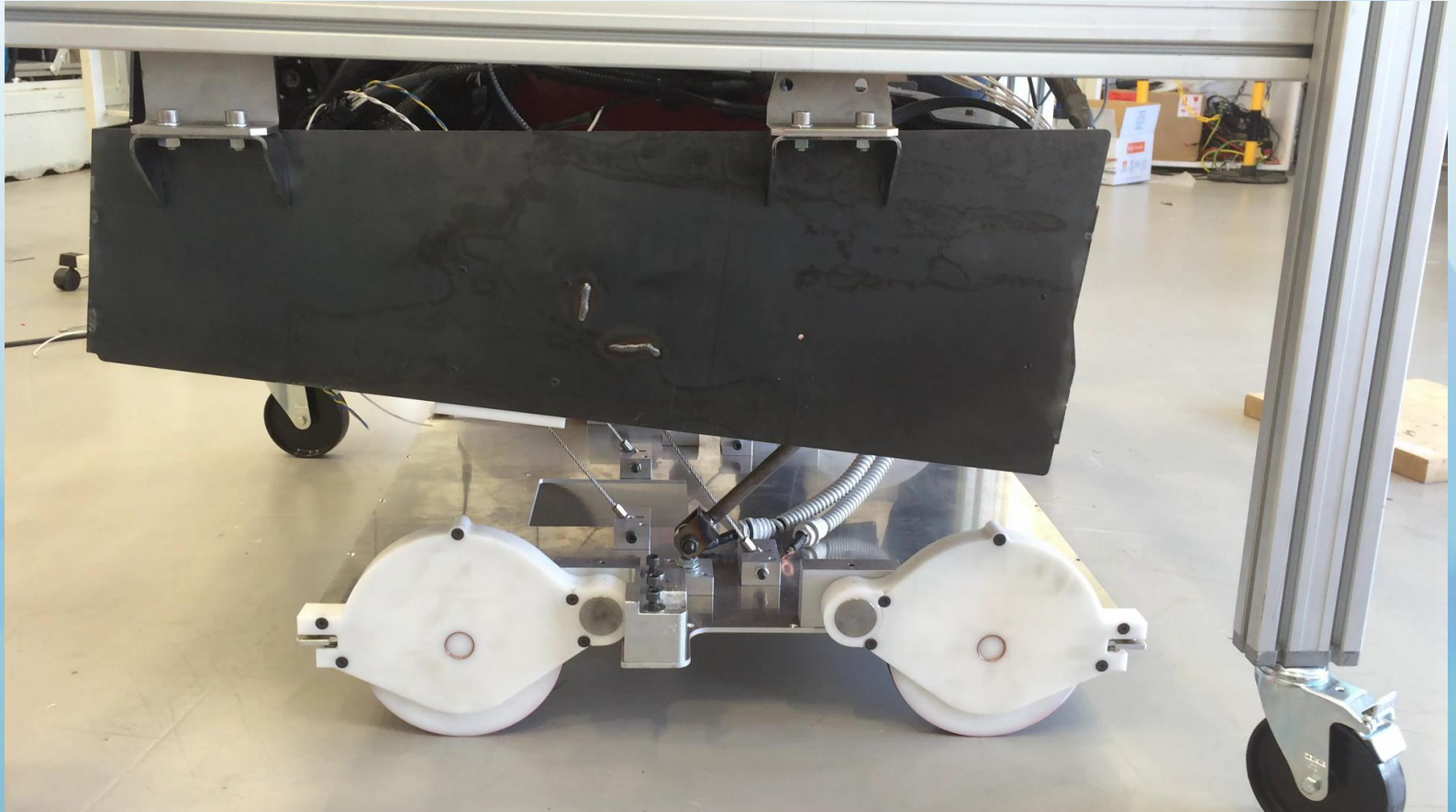


- Design & selection of components
- Mechanical integration
- Electrical / electronic integration
- Control algorithm development
- Test operation



# 4. Validation

## Upwards sequence video



# Any Question?



FastInCharge is supported by  
European Union's Seventh  
Framework Programme  
{FP7/2007-2013} under grant  
agreement n° 314284

